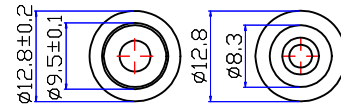
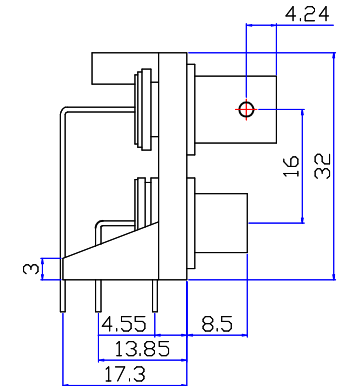
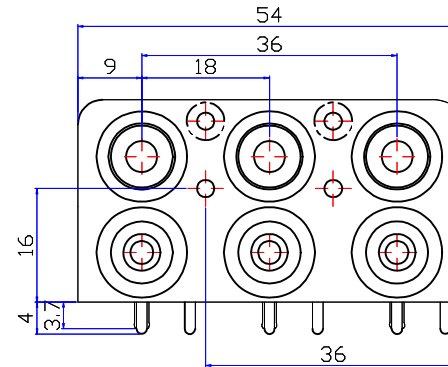
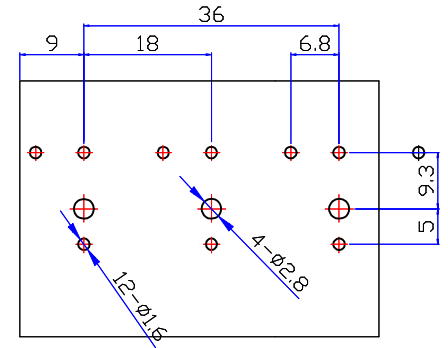
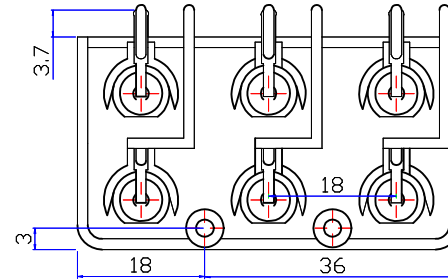
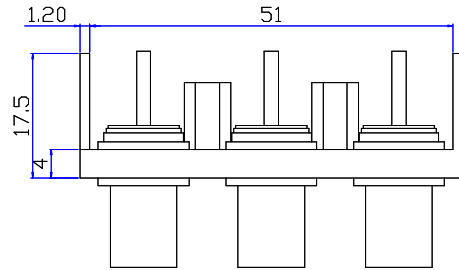




| | | | | |
|-------------|-------------------|----------|-----------|-----------|
| Product NO. | Renhotec-610-0017 | | | |
| REV | DESCRIPTION | DWN | DATE | APPROVEN |
| A | First issue | Mr. Wang | 2016/3/02 | John kine |



Specifications

Impedance: 50 Ohms
 Frequency Range: DC~3G
 VSWR: 1.3MAX
 Working Voltage: 500V rms @ sea level
 Insulation Resistance: 5000 Ohms min
 Temperature Range: -55°C TO +155°C
 Relative Humidity: ≤95% (40°C ±2°C)
 Drawings products are in line with ROHS standards

| | | | | | | | | | | | |
|----|---------------|----------|--------|-----|------------|-----------|--|----------------------|--|---------------|--|
| | | | | | NOTE: | Tolerance | 0-6 ±0.10 6-30 ±0.20 30-120 ±0.30 Angular ±2° | www.renhotec.com | RENHOTEC GROUP Name: BNC 2x3 B&R CONNECTOR DNN | | |
| 5 | Solder column | Iron | NICKEL | 6 | DRAWN | View | | | | | |
| 4 | IRON PLATES | Iron | NICKEL | 1 | 2016/03/02 | UNIT | MM | A | | | |
| 3 | PANEL | ABS | BLACK | 1 | CHECKED | SCALE | 1:1 | DateTime | CAD FILE | SHEET: 1 OF 1 | |
| 2 | PIN | BRASS | NICKEL | 6 | APPROVALS | | | 2016/3/02 | D/company drawings/BD | | |
| 1 | BODY | ZINC | NICKEL | 6 | John Kine | | | | | | |
| NO | DESCRIPTION | MATERIAL | FINISH | QTY | 09.03.2016 | | | | | | |