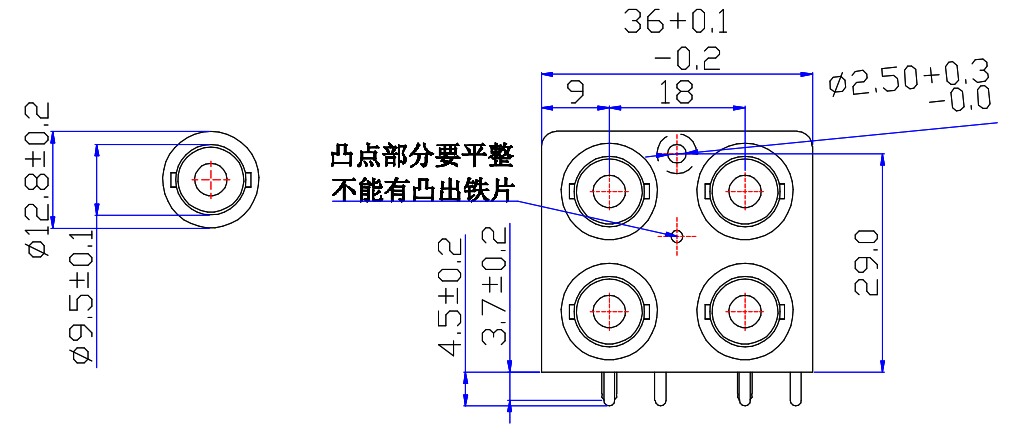
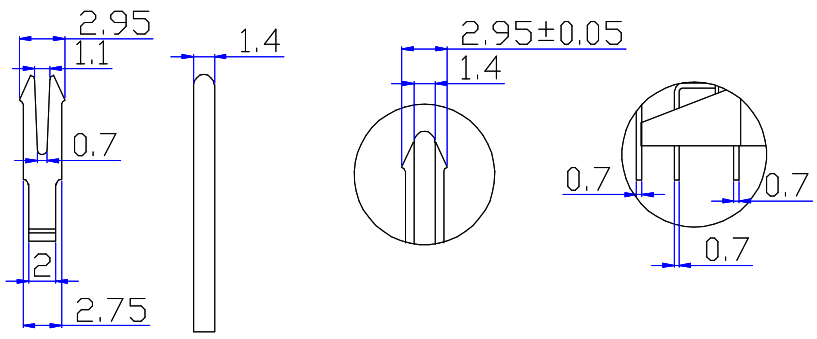
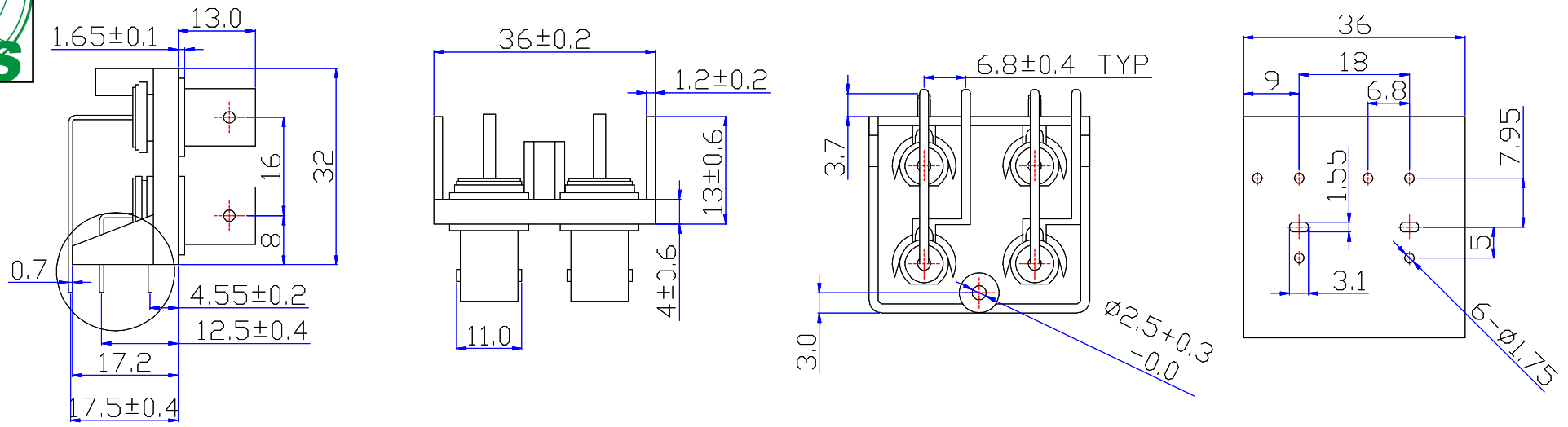




Product NO.	Renhotec-610-0013			
REV	DESCRIPTION	DWN	DATE	APPROVEN
A	First issue	Mr. Wang	2016/3/02	John kine



6	Insulator	POM	WHITE	4
5	Solder column	Iron	NICKEL	4
4	IRON PLATES	Iron	NICKEL	1
3	PANEL	ABS	BLACK	1
2	PIN	BRASS	NICKEL	4
1	BODY	ZINC	NICKEL	4
NO	DESCRIPTION	MATERIAL	FINISH	QTY

NOTE:

DRAWN: Zelin. Zhang 2016/03/02

CHECKED:

APPROVALS: John Kine 09.03.2016

Tolerance	0-6 ±0.10 6-30 ±0.20 30-120 ±0.30 Angular ±2°
View	
UNIT	MM
SCALE	1:1

RENHOTEC www.renhotec.com

RENHOTEC GROUP

Name: BNC 2x2 CONNECTOR DGN

SIZE A Product NO. RENHOTEC-610-0013 REV B

DateTime 2016/3/02 CAD FILE D/company drawings/BD SHEET: 1 OF 1