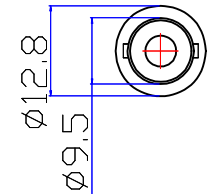
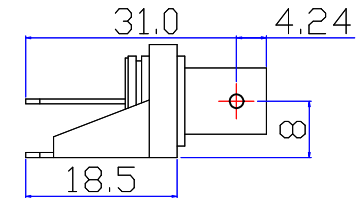
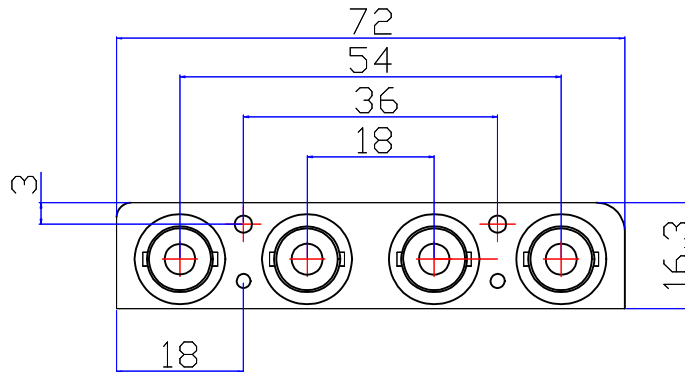
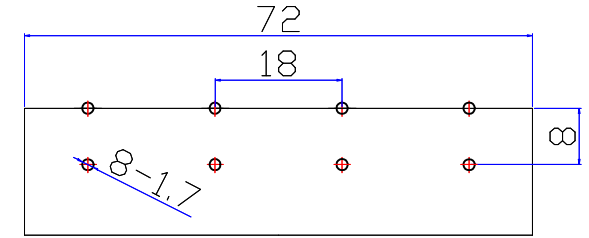
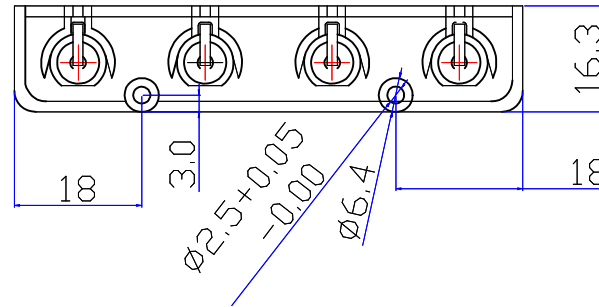
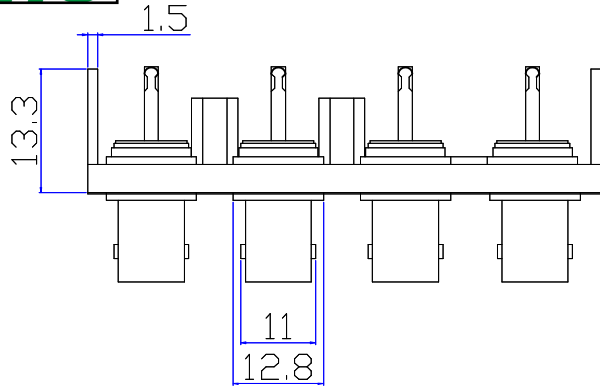


|             |                   |          |           |           |
|-------------|-------------------|----------|-----------|-----------|
| Product NO. | Renhotec-610-0010 |          |           |           |
| REV         | DESCRIPTION       | DWN      | DATE      | APPROVEN  |
| A           | First issue       | Mr. Wang | 2016/3/02 | John kine |



**Specification:**

Impedance: 50 Ohms  
 VSWR: 1.3MAX  
 Frequency range: DC~4G  
 Working Voltage: 500V rms @ sea level  
 Insulation resistance: 5000 Ohms min  
 Temperature range: -55°C TO +155°C  
 Relative temperature: ≤95% (40° C ± 2° C)  
 Drawings products are in line with ROHS standards.

NOTE:

|              |            |
|--------------|------------|
| DRAWN        | 2016/03/02 |
| Zelin. Zhang |            |
| CHECKED      |            |
| APPROVALS    | 09.03.2016 |
| John Kine    |            |

|           |  |
|-----------|--|
| Tolerance | 0-6 ±0.10<br>6-30 ±0.20<br>30-120 ±0.30<br>Angular ±2° |
| View      |  |
| UNIT      | MM   |
| SCALE     | 1:1  |



**RENHOTEC GROUP**

Name: BNC 1X4 CONNECTOR DGN

|        |                               |       |
|--------|-------------------------------|-------|
| SIZE A | Product NO. RENHOTEC-610-0010 | REV B |
|--------|-------------------------------|-------|

|                    |                                |               |
|--------------------|--------------------------------|---------------|
| DateTime 2016/3/02 | CAD FILE D/company drawings/BD | SHEET: 1 OF 1 |
|--------------------|--------------------------------|---------------|

|    |               |          |        |     |
|----|---------------|----------|--------|-----|
| 5  | Solder column | Iron     | NICKEL | 4   |
| 4  | IRON PLATES   | Iron     | NICKEL | 1   |
| 3  | PANEL         | ABS      | BLACK  | 1   |
| 2  | PIN           | BRASS    | NICKEL | 4   |
| 1  | BODY          | ZINC     | NICKEL | 4   |
| NO | DESCRIPTION   | MATERIAL | FINISH | QTY |