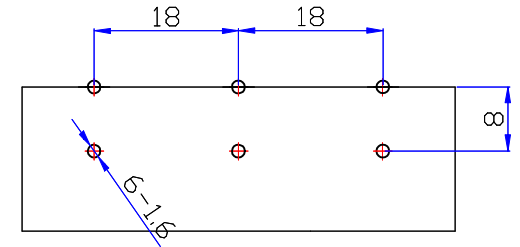
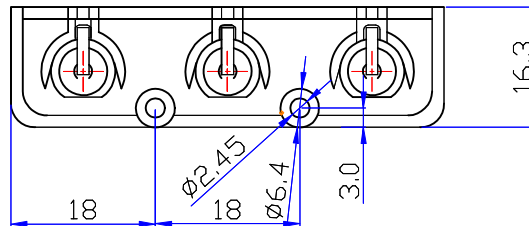
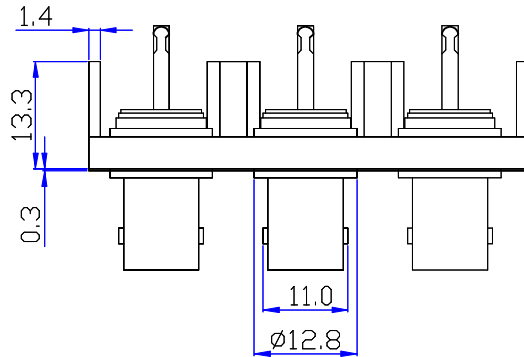
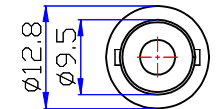
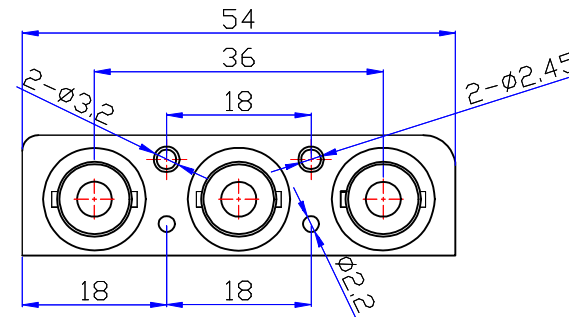
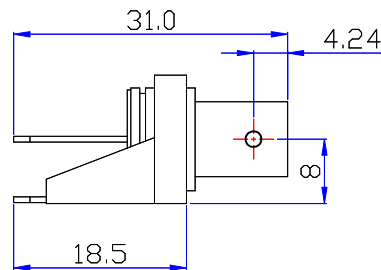


Product NO.	Renhotec-610-0009			
REV	DESCRIPTION	DWN	DATE	APPROVEN
A	First issue	Mr. Wang	2016/3/03	John kine



**Specification:**

Impedance: 50 Ohms  
 VSWR: 1.3MAX  
 Frequency range: DC~4G  
 Working Voltage: 500V rms @ sea level  
 Insulation resistance: 5000 Ohms min  
 Temperature range: -55°C TO +155°C  
 Relative temperature: ≤95%(40° C±2° C)  
 Drawings products are in line with ROHS standards .



NO	DESCRIPTION	MATERIAL	FINISH	QTY
5	Solder column	Iron	NICKEL	3
4	IRON PLATES	Iron	NICKEL	1
3	PANEL	ABS	BLACK	1
2	PIN	BRASS	NICKEL	3
1	BODY	ZINC	NICKEL	3

NOTE:	
DRAWN	2016/03/02
Zelin. Zhang	
CHECKED	
APPROVALS	09.03.2016
John Kine	

Tolerance	0-6 ±0.10 6-30 ±0.20 30-120 ±0.30 Angular ±2°
View	
UNIT	MM
SCALE	1:1

		<b>RENHOTEC GROUP</b>	
Name: BNC 1X3 CONNECTOR DGN			
SIZE A	Product NO. RENHOTEC-610-0009	REV B	
DateTime	2016/3/02	CAD FILE	D/company drawings/BD
			SHEET: 1 OF 1