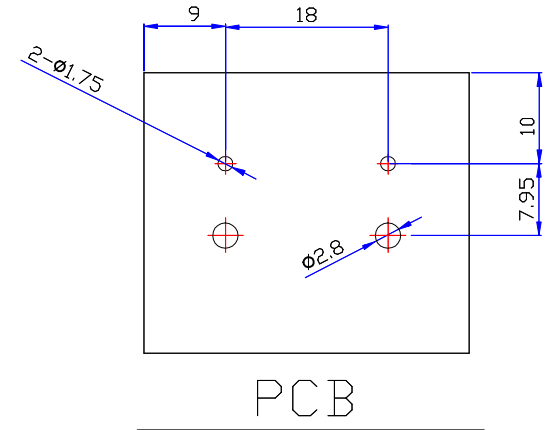
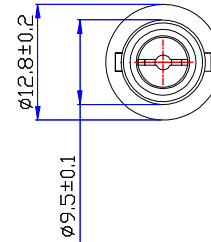
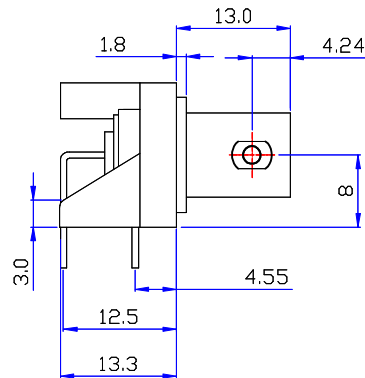
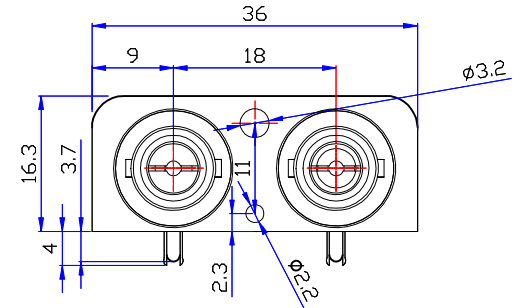
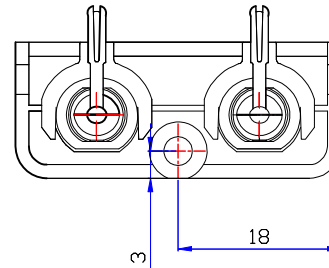
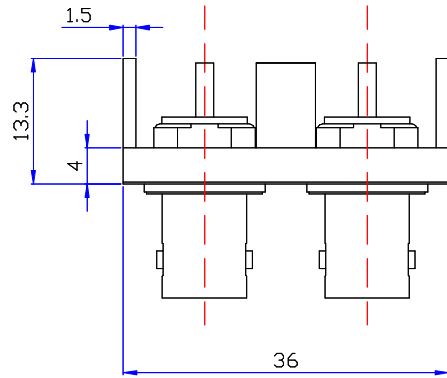




Product NO.	Renhotec-610-0004			
REV	DESCRIPTION	DWN	DATE	APPROVEN
A	First issue	Mr. Wang	2016/3/02	John kine



Specification:

Impedance: 50 Ohms

VSWR:1.3MAX

Frequency range:DC~4G

Working Voltage:500V rms @ sea level

Insulation resistance:5000 Ohms min

Temperature range:-55°C TO +155°C

Relative temperature:≤95%(40° C±2° C)

Drawings products are in line with ROHS standards .

NOTE:

6	Insulator	POM	—	2
5	Solder column	Iron	NICKEL	2
4	IRON PLATES	Iron	NICKEL	1
3	PANEL	ABS	BLACK	1
2	PIN	BRASS	NICKEL	2
1	BODY	ZINC	NICKEL	2
NO	DESCRIPTION	MATERIAL	FINISH	QTY

DRAWN	2016/03/02
Zelin. Zhang	
CHECKED	
APPROVALS	09.03.2016
John Kine	

Tolerance	0-6	±0.10
	6-30	±0.20
View	30-120	±0.30
	Angular	±2°
UNIT	MM	
SCALE	1:1	



RENHOTEC GROUP

Name: BNC 1x2 CONNECTOR

SIZE A	Product NO. RENHOTEC-610-0004	REV B
DateTime	2016/3/02	CAD FILE
D/company drawings/BD		SHEET: 1 OF 1