



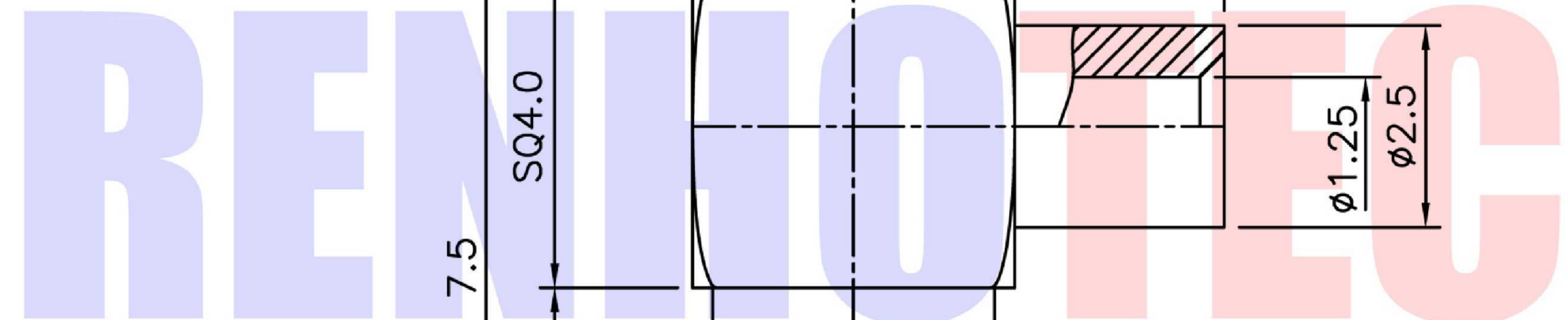
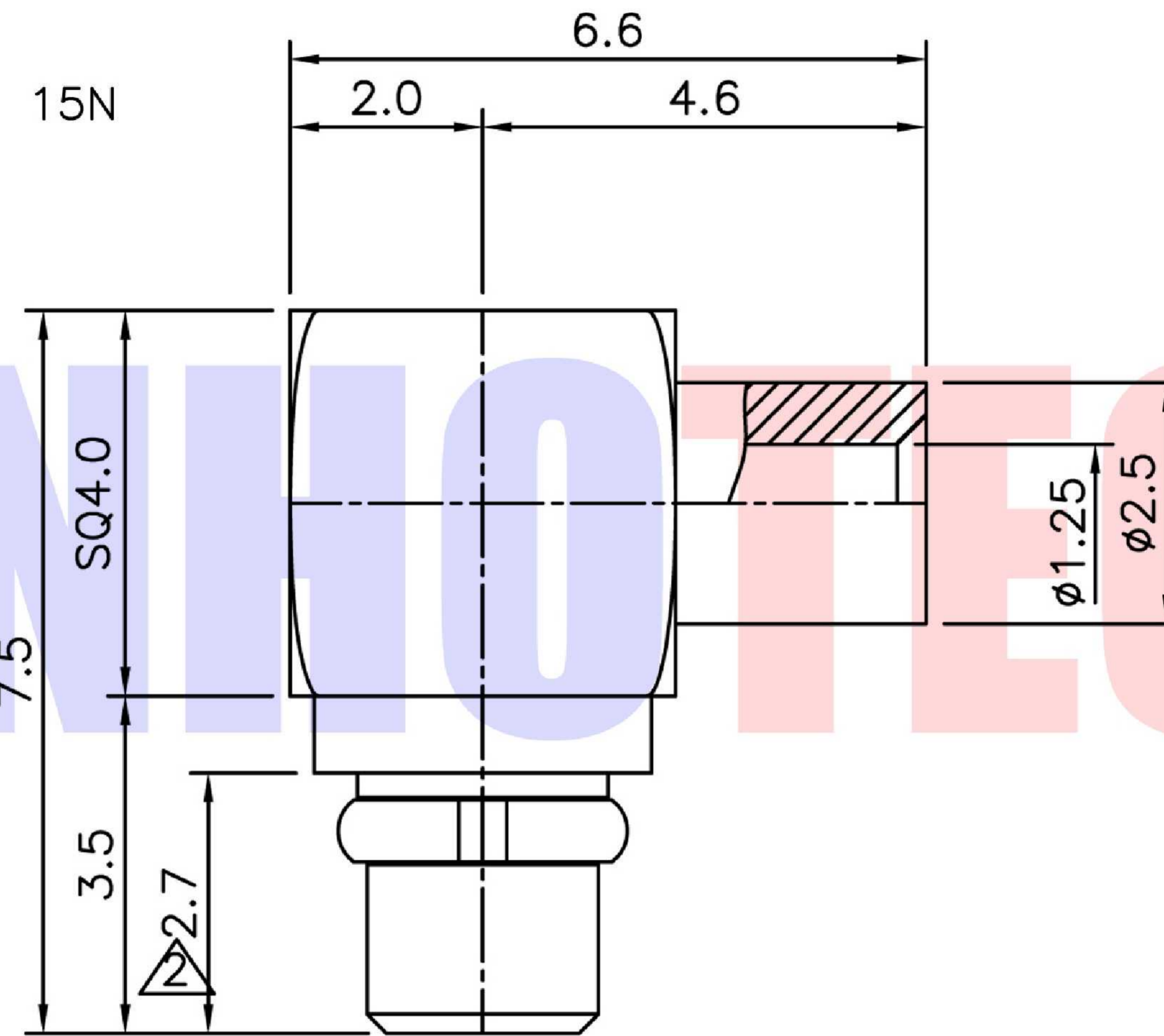
SPECIFICATIONS

Impedance: 50ohm
 Frequency range: DC~6GHz
 Temperature range: -55° to + 155°C
 2002/95/EC (RoHS): Compliant

MECHANICAL SPEC

Engagement force: max. 15N
 Separation force: min. 6N~max. 15N
 Durability: 500 Cycles

Product NO.	Renhotec-631-0108			
REV	DESCRIPTION	DWN	DATE	APPROVEN
A	First issue	Mr. Wang	2017/2/24	John kine



Item	Materials	Plating
Body	Brass	Gold Plated
C-Ring	Be-Cu	Gold Plated
Center contact	Brass	Gold Plated
Insulator	PTFE	-

NOTE:		Tolerance	0-6 ±0.10
			6-30 ±0.20
			30-120 ±0.30
			Angular ±2°
DRAWN		View	
Zelin. Zhang	2017/2/24		
CHECKED		UNIT	MM
APPROVALS		SCALE	1:1
John Kine	2017/2/24		



RENHOTEC GROUP

Name: MMCX R/A Plug for-UT047

SIZE A	Product NO. RHT-631-0108	REV B
DateTime 2017/2/24	CAD FILE D/company drawings/BD	SHEET: 1 OF 1