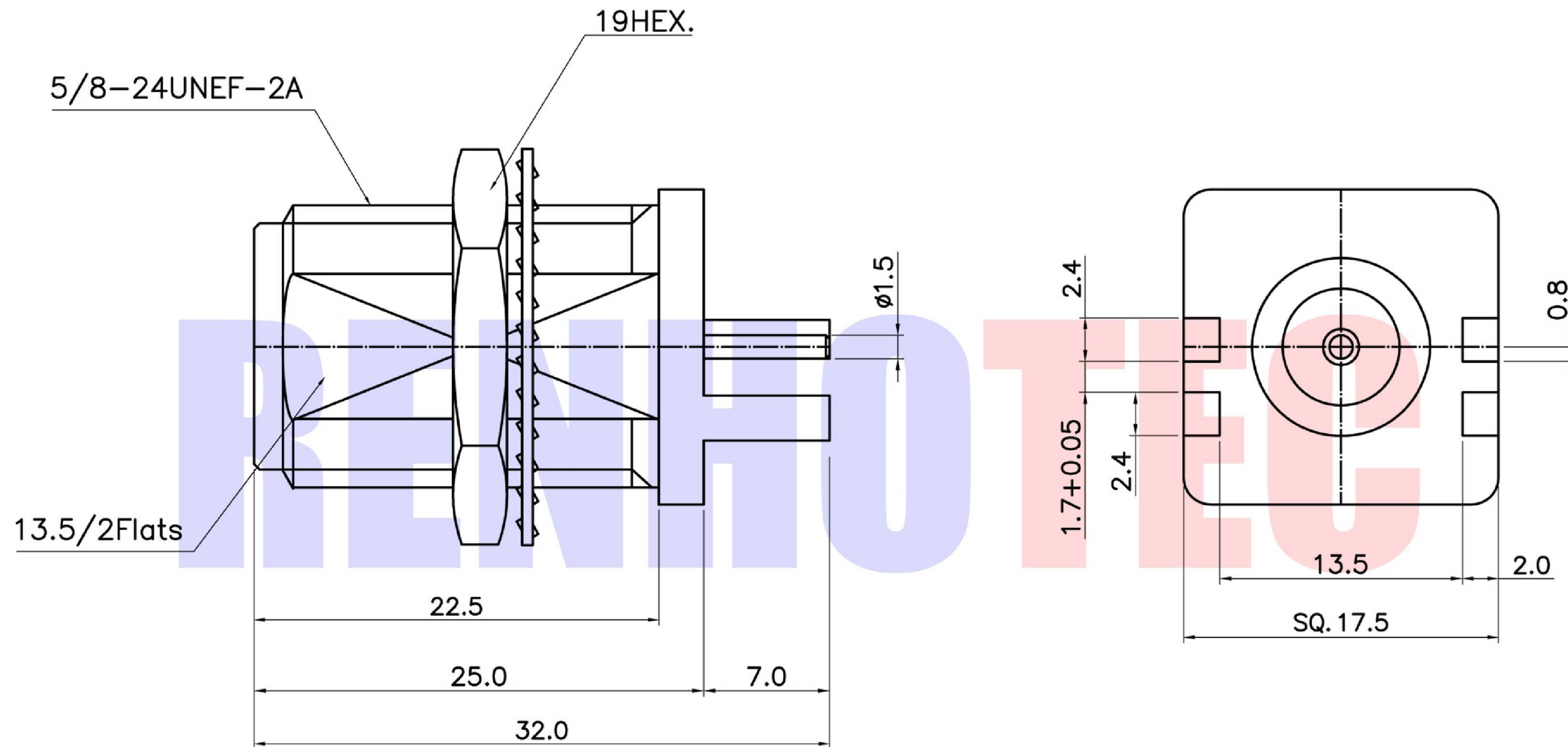




Product NO.	Renhotec-614-0146			
REV	DESCRIPTION	DWN	DATE	APPROVEN
A	First issue	Mr. Wang	2017/2/28	John kine



Item	Materials	Plating
Body	Brass	Nickel Plated
Center contact	Be-Cu	Gold Plated
Insulator	PTFE	-

N-TYPE End Launch Bulkhead Jack Receptacle
-Round Contact(1.60Board)

**CENTER CONTACT-CURRENT ; DC5.0Amp

NOTE:		Tolerance	0-6 ±0.10 6-30 ±0.20 30-120 ±0.30 Angular ±2°
DRAWN	Zelin. Zhang	2017/2/28	View
CHECKED			UNIT
APPROVALS	John Kine	2017/2/28	SCALE



RENHOTEC GROUP

Name: Egde Mount N Jack Connector			
SIZE	Product NO.	RHT-614-0146	REV
A			B
DateTime	CAD FILE	SHEET: 1 OF 1	
2017/2/28	D/company drawings/BD		